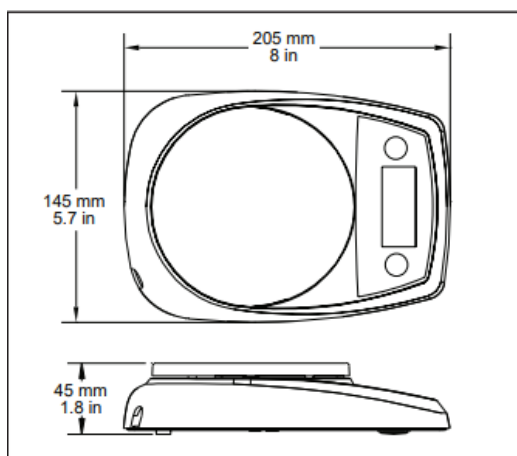


EQUIPMENT WITH IMMEDIATE DELIVERY

[For web version click here -> email](#)[SIOT Website](#)[E-SHOP SIOT](#)[Contact Us](#)[Customer Section](#)

## NEW BINDER & OHAUS SALE

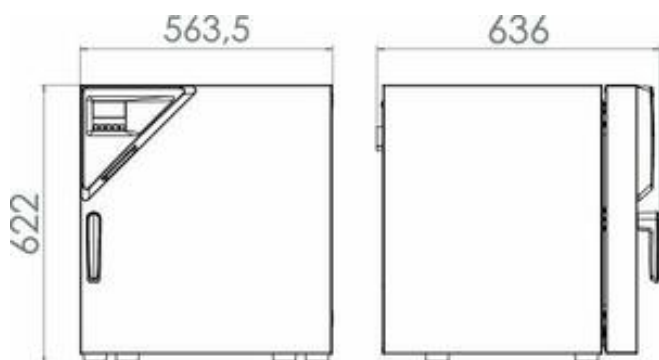


### CL Portable Balance

- **Maximum weight:** 2 kg
- **Precision:** 1 g
- **Calibration type:** External
- **Plate diameter:** 120 mm

[Manual \( .pdf \)](#)

| Product       | Producer          | Description  | Selling price in Euro without VAT/piece |
|---------------|-------------------|--|---|
| OHA-800010611 | Ohaus Europe GmbH | CL Portable Balance, 2000g Capacity, 1g Readability, OHAUS | 23.00                                   |



### Drying oven with convection

- **Temperature range** +50 up to +572 °F
- **Storage volume:** 60 litres
- **LCD display**
- **Comes with 2 grides**
- **Inner room parameters:** 345x440x400 mm

| Product       | Producer    | Description  | Selling price in Euro without VAT/piece |
|---------------|-------------|--|---|
| BND-9010-0303 | BINDER GmbH | Drying ovens with forced convection FD56 Avantgarde.Line, BINDER | 1 066,00                                |

**The offered devices are without installation, in case of interest we will add the price. Until stocks run out.**



#### Petra Vejnusková

Technical support  
SIOT Trade s.r.o.  
Tel.: +420 724 230 677  
E-mail: p.vejnuskova@siot.cz



Tento email byl odeslán na adresu kocurekp@email.cz.

Odesilatelem je Petr Paleček, p.kocurek@siot.cz. Tento e-mail je podle zákona obchodním sdělením.

Z odběru se můžete [odhlásit](#).

[S radostí doručeno díky aplikaci SmartEmailing](#)  
[Antispam pravidla](#)